

SMP 5G

**Indoor-Outdoor Compact Directional Multi-Band
(698-960 MHz & 1.71-2.7 GHz 3.3-3.8 GHz for 5G - LTE , W/Lan 2.4)**



PATENTED

MAIN FEATURES

- Very compact directional panel antenna
- Working on 5G frequency spectrum
- Suitable for indoor and outdoor use
- Easy and quick installation on the mast or on the wall
- Fully designed & Manufactured in Italy
- Product **PATENTED**

SPECIFICATIONS

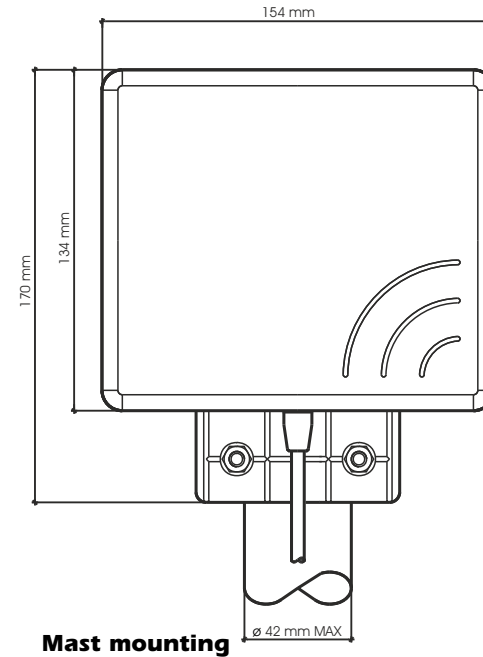
Electrical Data

Type	Directional mini panel wideband
Frequency Range	698-960 MHz & 1710-2700 MHz & 3300-3800 MHz @ SWR ≤ 2
Impedance	50 Ω
Half Power Beam Width	see Typical Radiation Patterns
Polarization	Linear Vertical
Gain	4-6 dBi @ 698-960 MHz; 9-10 dBi @ 1710-2170 MHz; 11-12 dBi @ 2300-2700 MHz; 11-12 dBi @ 3300-3800 MHz;
Front to back ratio	≥ 4 dB @ 698-960 MHz; ≥ 13 dB @ 1710-2170 MHz; ≥ 30 dB @ 2300-2700 MHz; ≥ 12 dB @ 3300-3800 MHz;
Max Power @ 30°C	35 Watts (CW) @ 698-960 MHz; 35 Watts (CW) @ 1710-2170 MHz; 25 Watts (CW) @ 2300-2700 MHz; 20 Watts (CW) @ 3300-3800 MHz;
Cable Type / Length	50 Ω LOW LOSS / 30 cm; 1 ft (other length on request)
Connector	SMA-male (other type on request)
Ingress Protection	IP 44

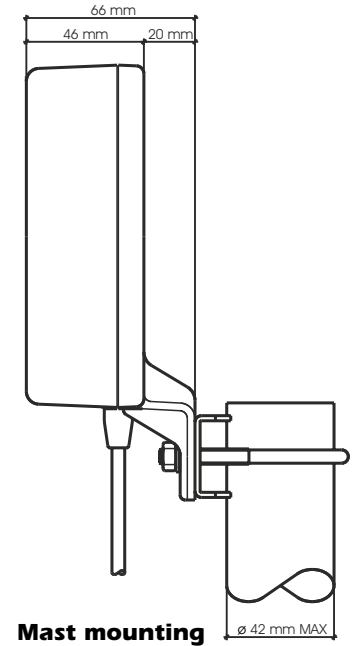
Mechanical Data

Materials	RAL 7035 Light Grey thermoplastic UV stabilized, galvanized steel
Wind Load @150 km/h	40 N
Wind Resistance	180 Km/h, 112 mi/h
Wind Surface	0.02 m ² , 0.21 ft ²
Operating temperature	-40°C to + 80°C
Dimensions (approx.)	154 x 134 x 46 mm; 6 x 5.3 x 1.8 in without bracket
Weight (approx.)	400 gr, 0.9 lb
Installation Type	Mast: Ø25-42 mm, Ø1-1.6 in with U-bolt (included) Wall: mounting screw (not included)

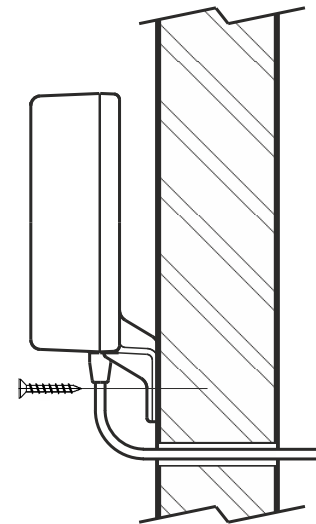
MOUNTING INSTRUCTIONS



Mast mounting



Mast mounting



Wall mounting
(screws not included)



P/N 2519703.00
Optional tilting bracket

Mast: Ø 35-50 mm with clamp included
Wall: with mounting screws (not included)